

# **76240- SMALL WORKSHOP ASSEMBLY INSTRUCTIONS**

Thank you for purchasing a Maple Leaf Trains kit.

The following tools are recommended for best results:

- Sharp hobby knife with new, sharp #11 blade (emphasis on sharp)
- Cutting mat
- Tweezers
- Magnifying glass/Optivisor (optional)
- Mechanics squares (optional)
- Primer paint (Spray paint)

## **Several Notes:**

Prior to assembly we strongly recommend painting wooden sheets using primer on both sides to prevent warps, let dry completely before moving on to building the structure.

At each step where removing parts from sheet is required, we suggest to sand parts using 400-600 grit sandpaper prior to assembly

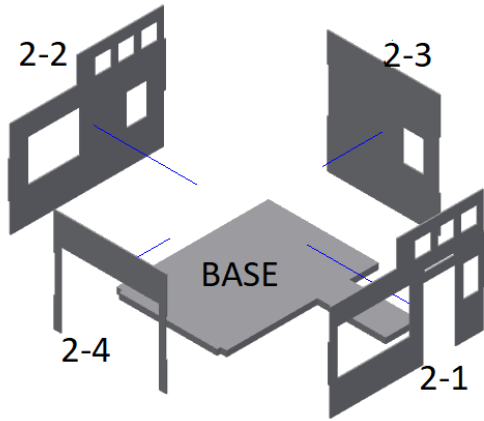
Use thin ACC glue to bond parts together

Note that window opening at core walls are a bit smaller than openings at the outer walls. When you later assemble window inserts, they will perfectly fit through the outer walls but won't go through the core walls. Perfect for both gluing window inserts and keeping walls as thin as possible.

Do not glue the roof parts to walls as you may need open roof for maintenance, add / modify details in the structure,

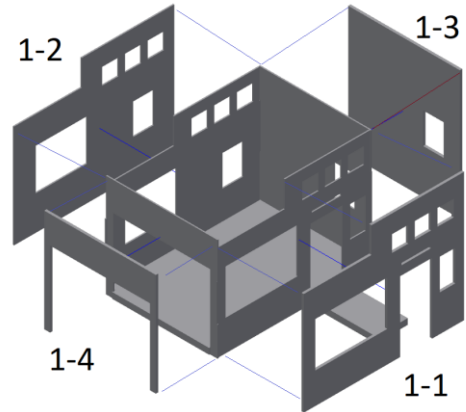
. We would recommend applying window glasses after painting the model, but it is up to you, the modeler, to decide.

### Step 1



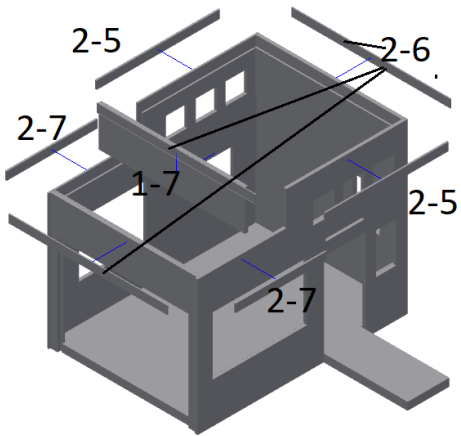
Structure base and 4 walls core

### Step 2

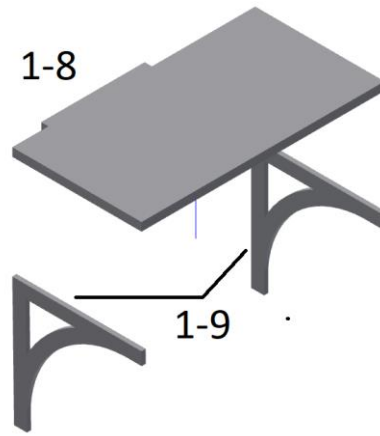


Carefully glue 4 walls to core.

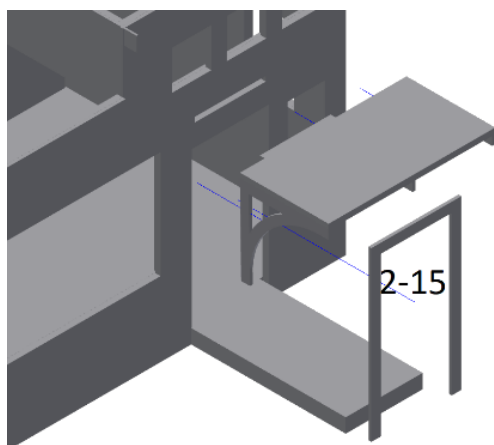
### Step 3



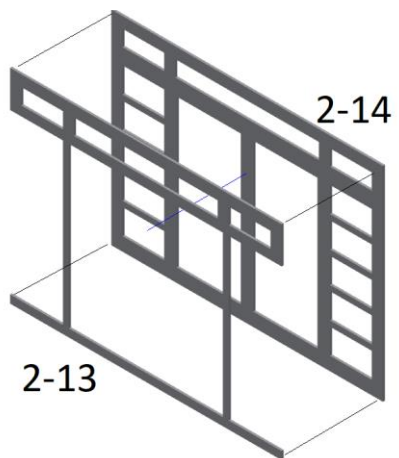
### Step 4



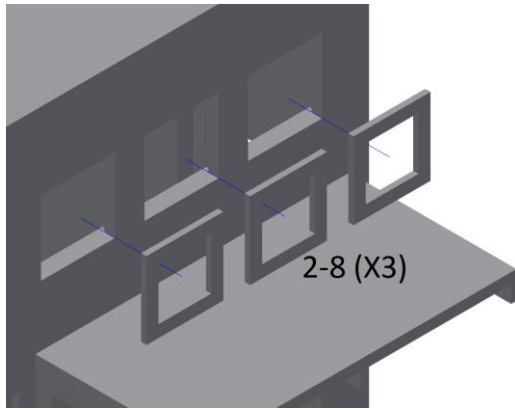
### Step 5



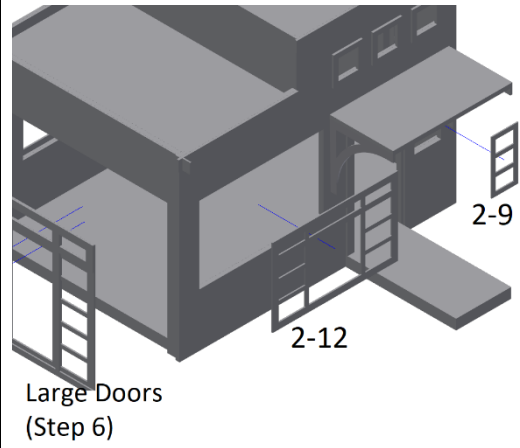
### Step 6



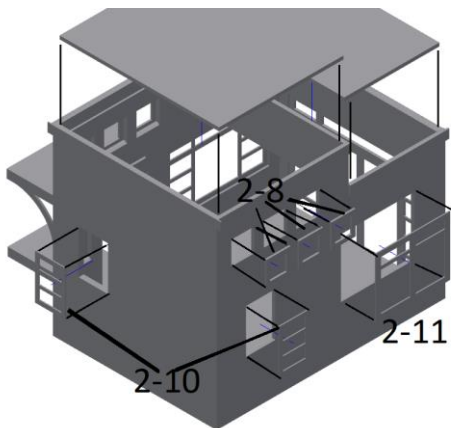
### Step 7



### Step 8



### Step 9



Do not glue root parts. They should be removable for maintenance

Next, paint the structure to match your preferences.

Our choice is:

Vallejo silver white for main walls

Vallejo Brown smoke for window inserts and door frame (except upper square windows)

Vallejo Dark Blue Pale for upper square window frames

Black for roof

Vallejo Basalt Gray for path

Of course, you may use and color/ shade you wish

cut window glazing from clear sheet and glue using clear glue (Such as clear canopy glue or similar)

Install LED light

Weather your new structure. Even a small, light weathering job will go a long way

Most important, send us images of your kit. We always love to see client's models

