

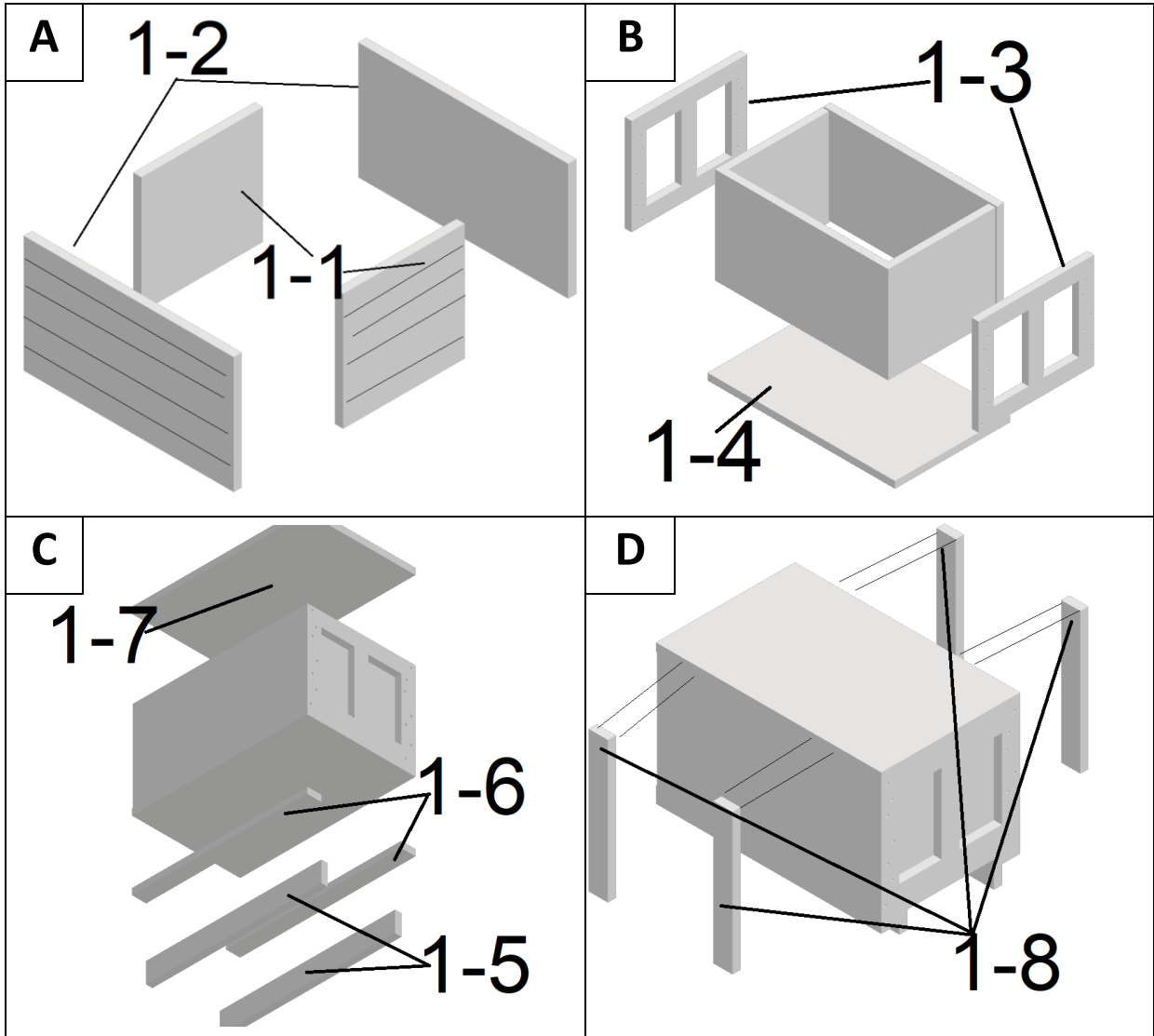
76333 Crates Set Assembly Instructions

Thank you for purchasing one of the Maple Leaf Trains products

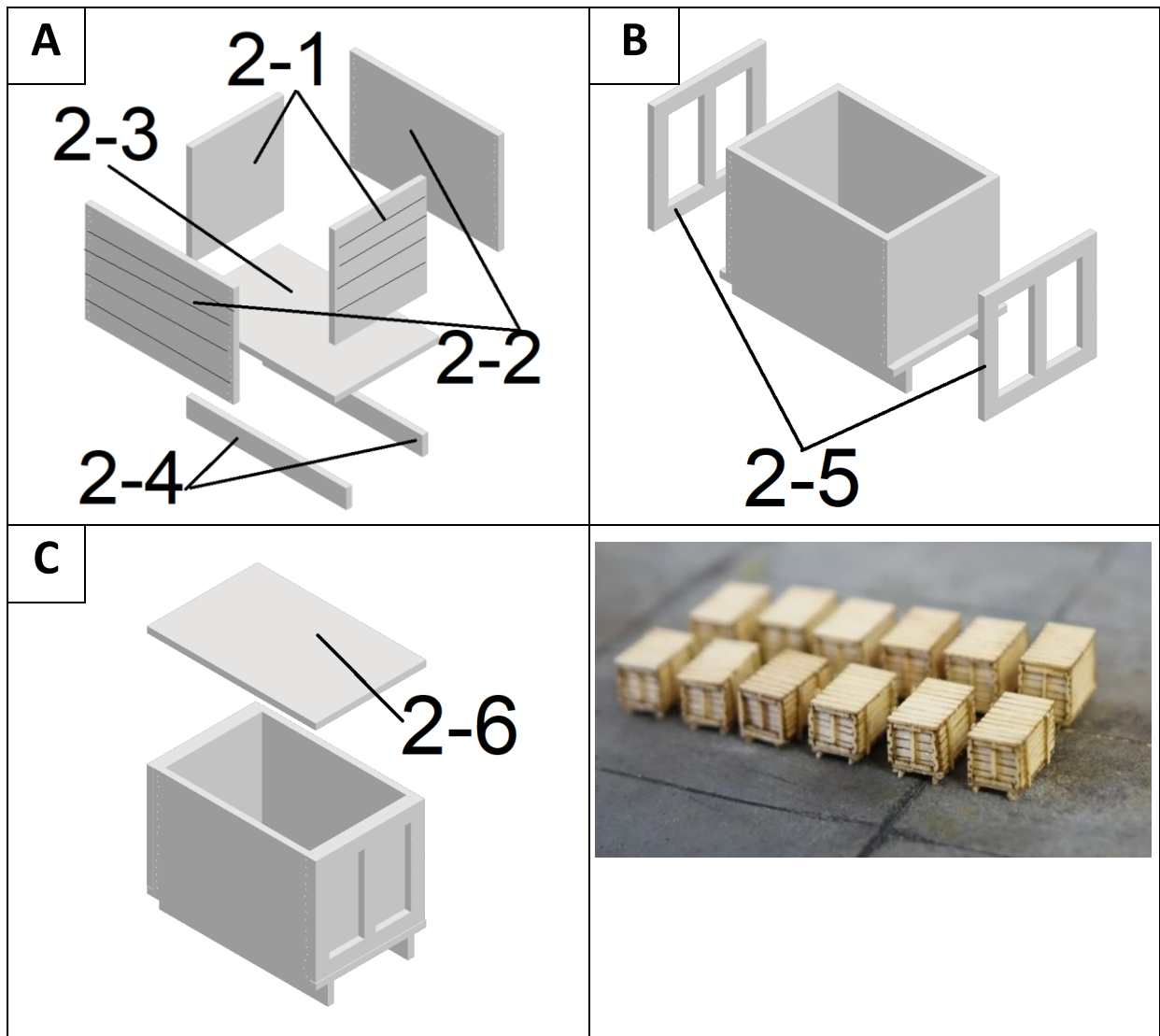
Prior to assembly it is recommended to sand part using 400-600 grit sand paper

Use medium/ thick ACC glue or modelers wood glue to bond parts together

Crate 1



Crate 2



Feel Free to contact us with any question you might have at info@mapleleaftrains.com